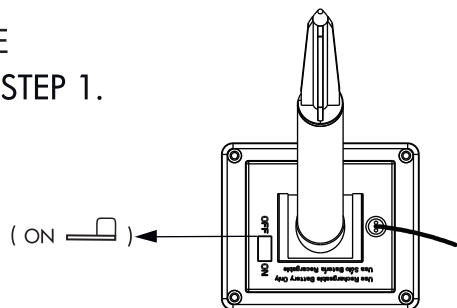


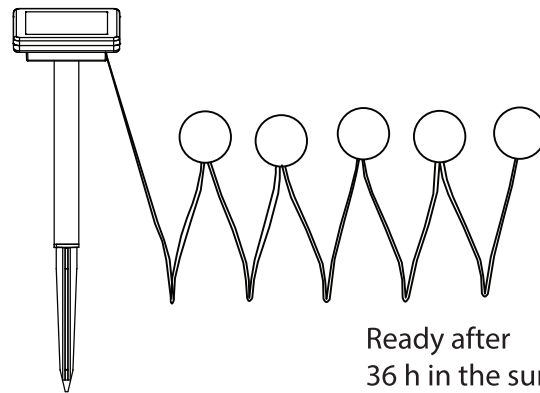
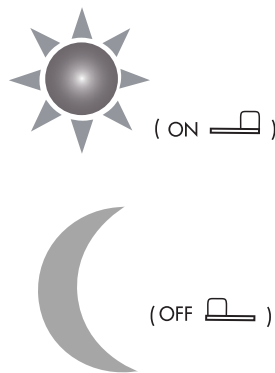
Art.no 477-58,477-59,482-09

FIRST USE

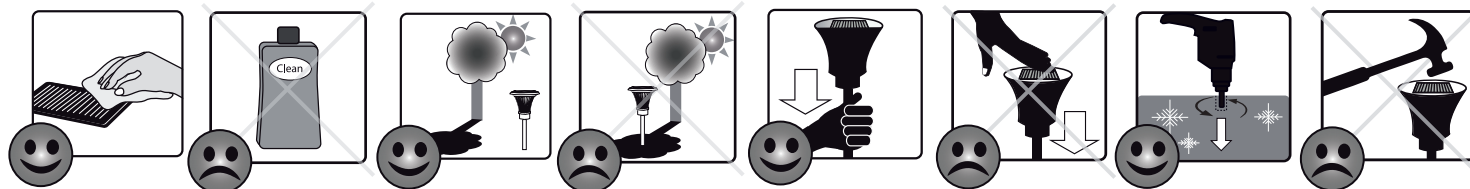
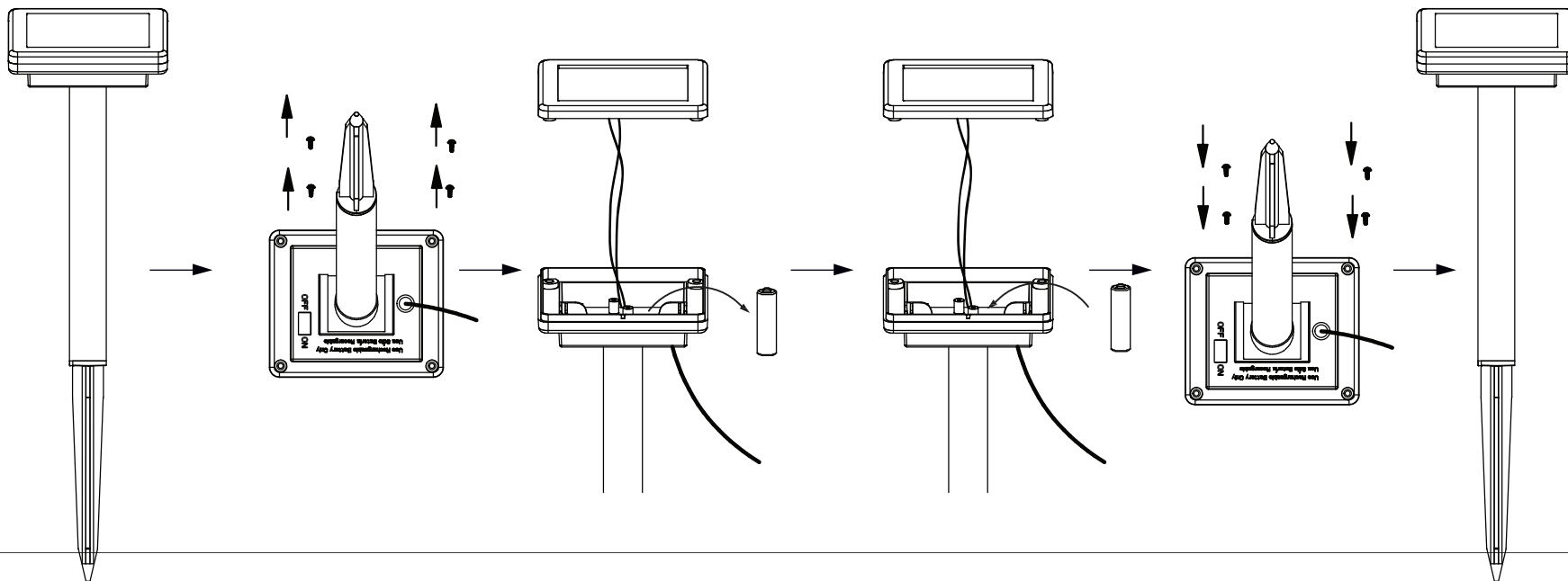
STEP 1.



STEP 2.



BATTERY REPLACEMENT



STAR[®]
TRADING
STAR STREET 1
512 50 SVENLJUNGA
SWEDEN
www.startrading.com