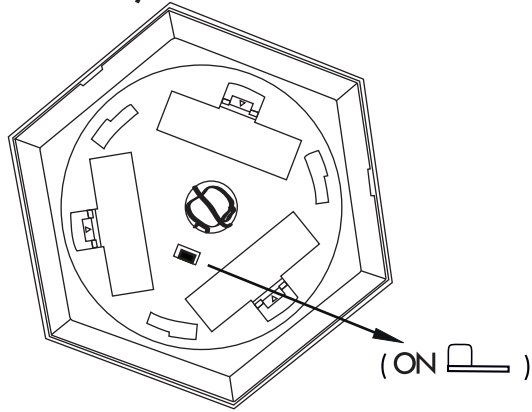


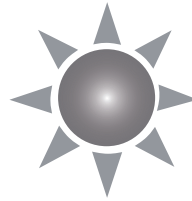
# Art No: 480-07,08

## FIRST USE

STEP 1.




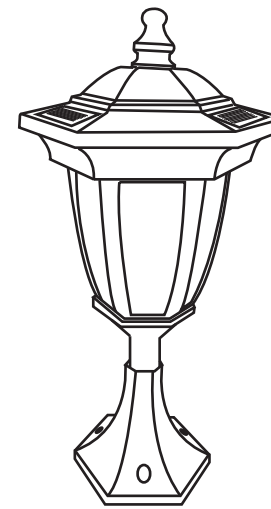
STEP 2.



(ON )

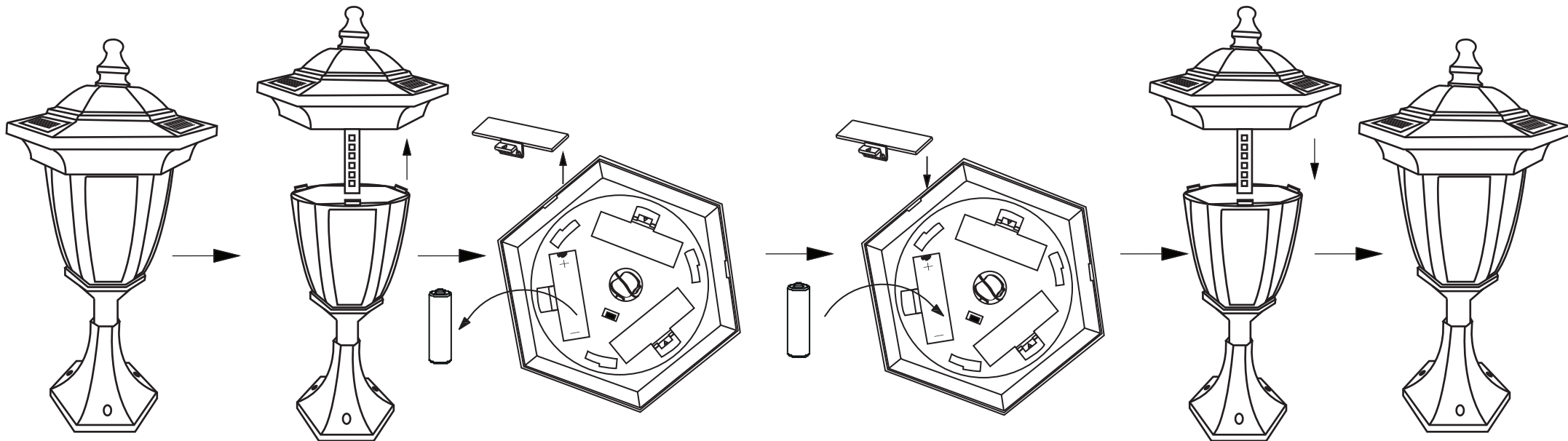


(OFF )



Ready after  
36 h in the sun

## BATTERY REPLACEMENT



# STAR

TRADING

STAR STREET 1  
512 50 SVENLJUNGA  
SWEDEN

[www.startrading.com](http://www.startrading.com)