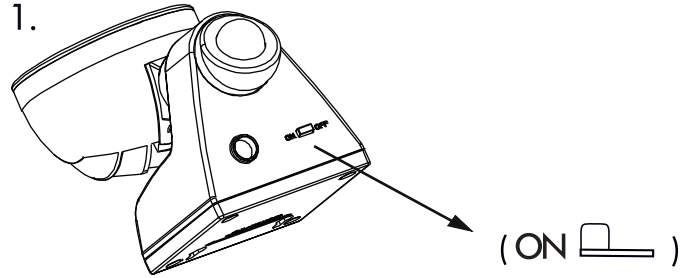


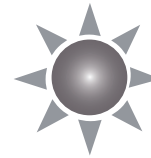
Art.no 481-66

FIRST USE

STEP 1.



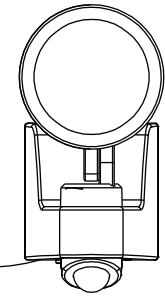
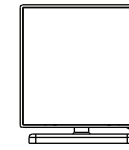
STEP 2.



( ON [switch icon] )

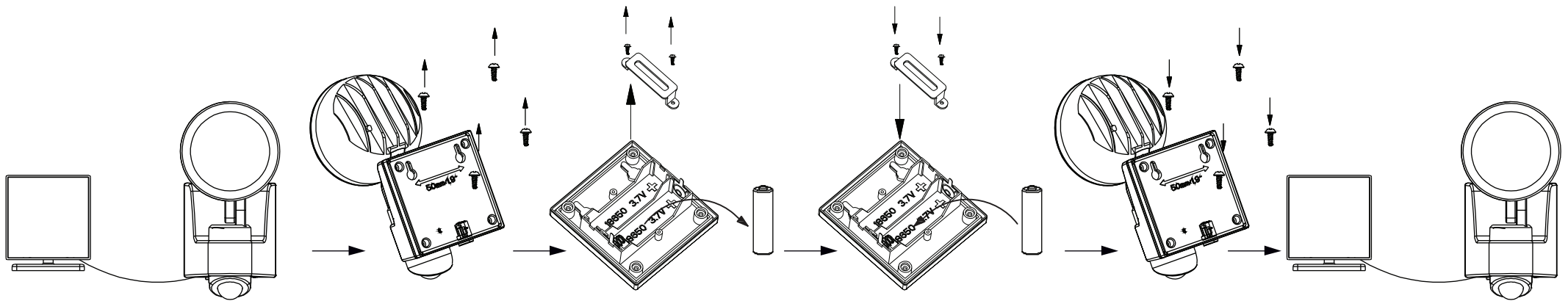


( OFF [switch icon] )



Ready after  
36 h in the sun

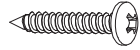
BATTERY REPLACEMENT



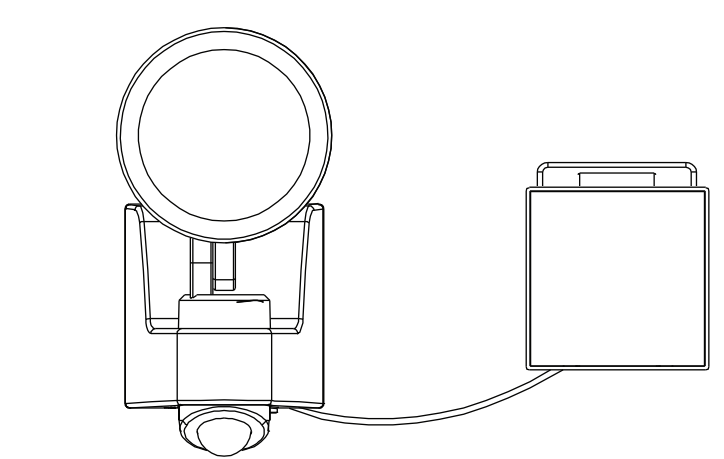
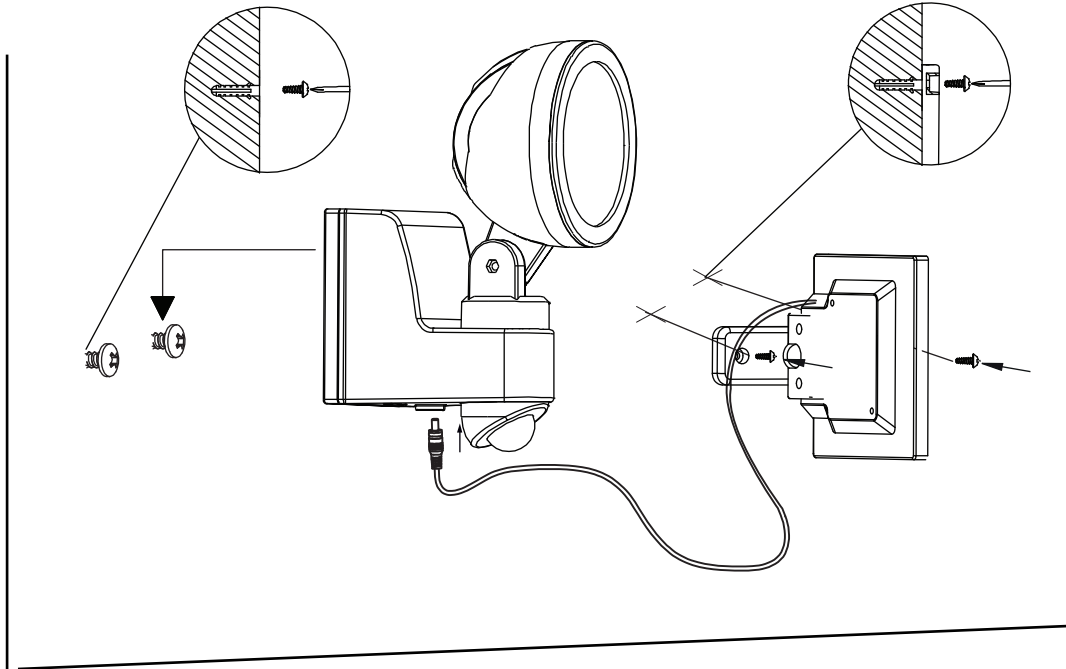
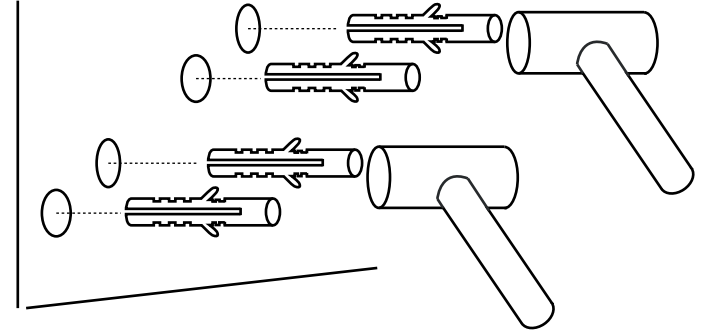
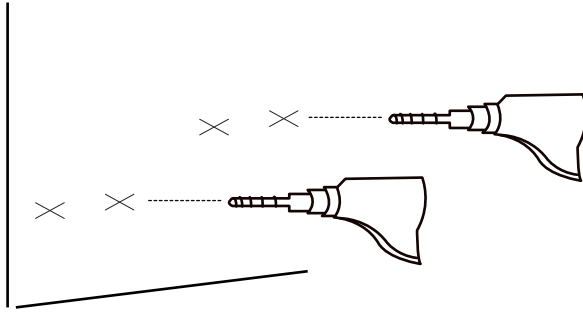
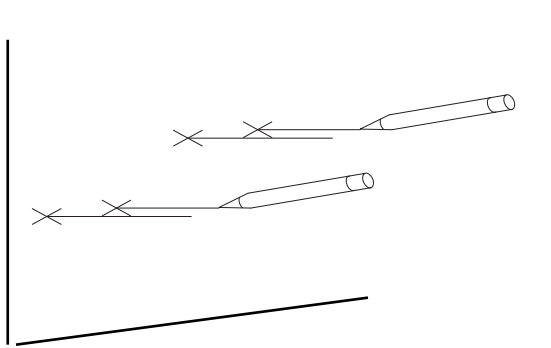
**STAR**<sup>®</sup>  
TRADING  
STAR STREET 1  
512 50 SVENLJUNGA  
SWEDEN  
[www.startrading.com](http://www.startrading.com)



x 4



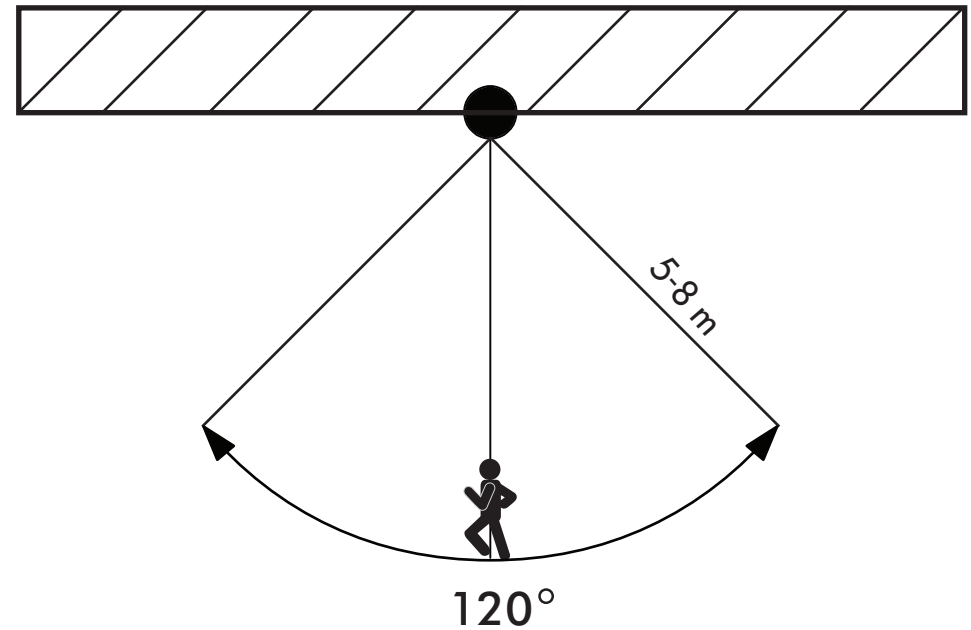
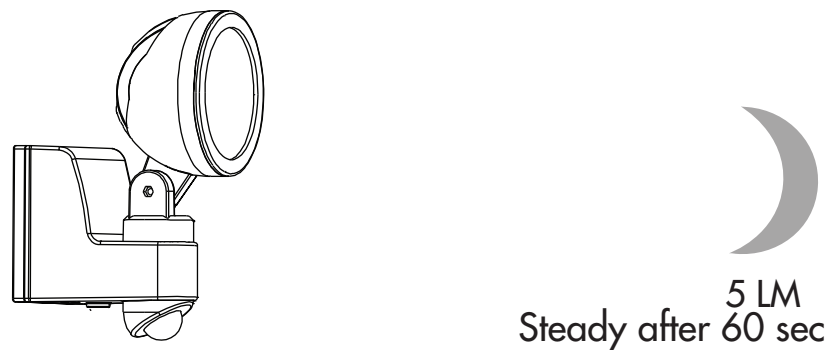
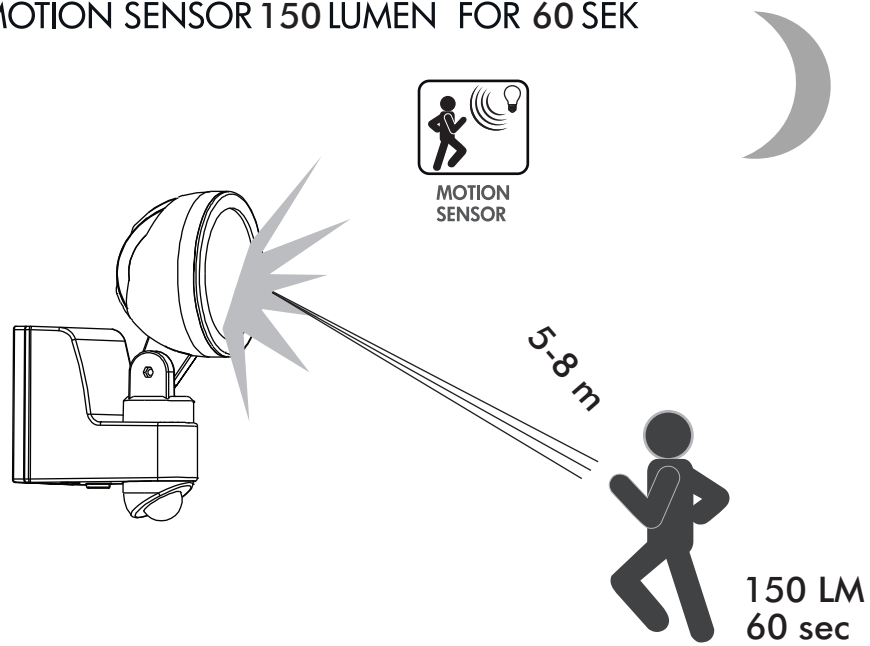
x 4



Art No: 481-66

5 LUMEN CONSTANT LIGHT

MOTION SENSOR 150 LUMEN FOR 60 SEK



**STAR**<sup>®</sup>  
TRADING  
STAR STREET 1  
512 50 SVENLJUNGA  
SWEDEN  
[www.startrading.com](http://www.startrading.com)