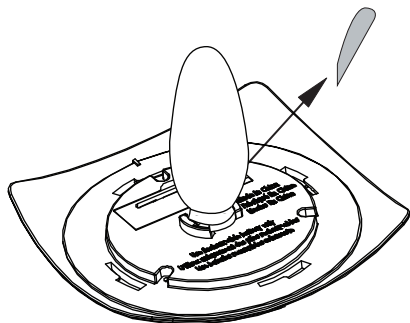


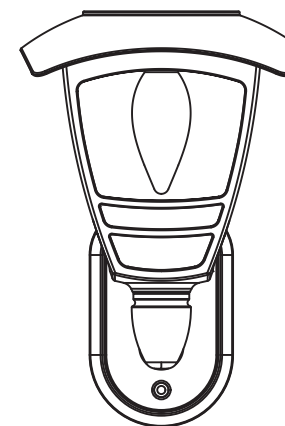
Art.no 480-88

FIRST USE

STEP 1.

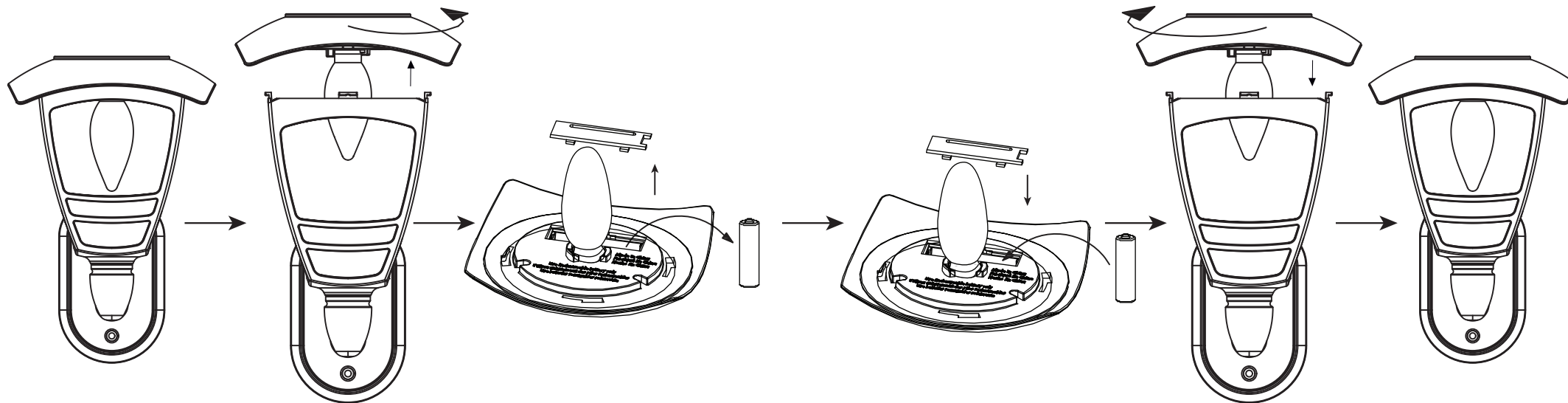


STEP 2.

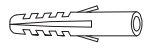


Ready after  
36 h in the sun

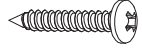
BATTERY REPLACEMENT



**STAR**<sup>®</sup>  
TRADING  
STAR STREET 1  
512 50 SVENLJUNGA  
SWEDEN  
[www.startrading.com](http://www.startrading.com)



x 2



x 2

