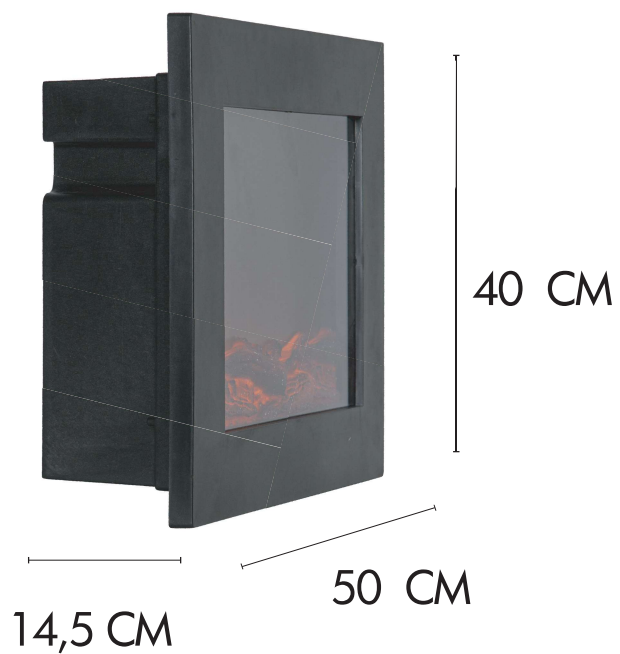
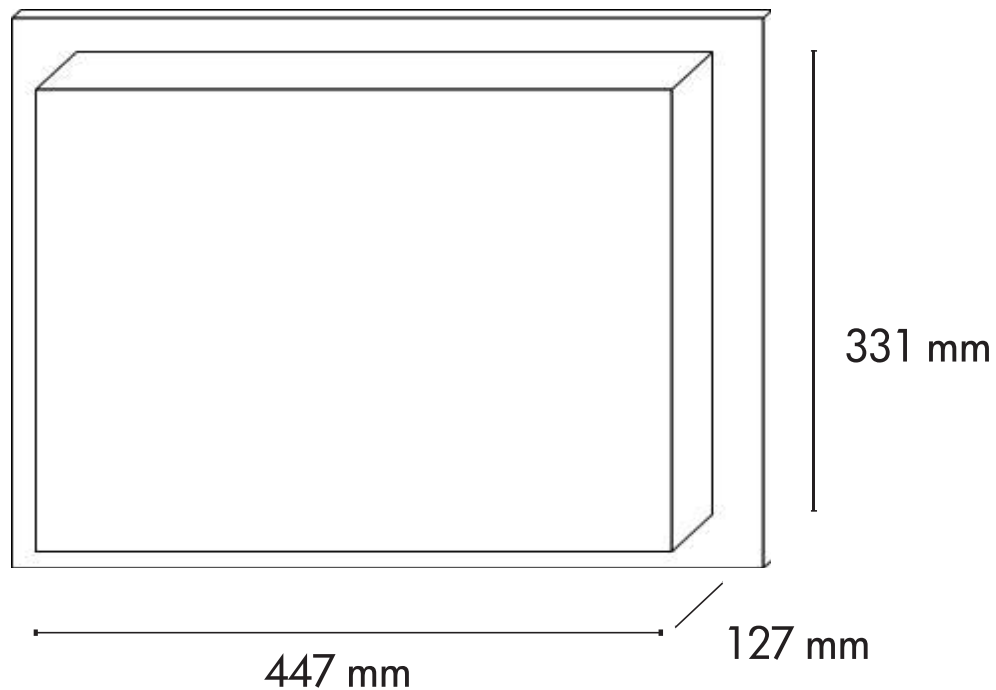


Front & side view



Rear side view with built-in dimensions



Instruction for the legs

