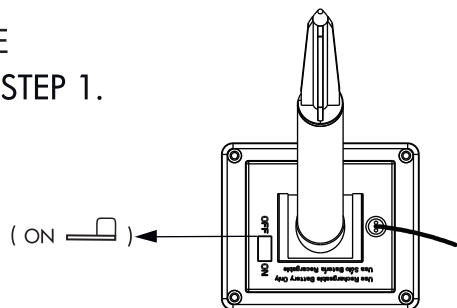


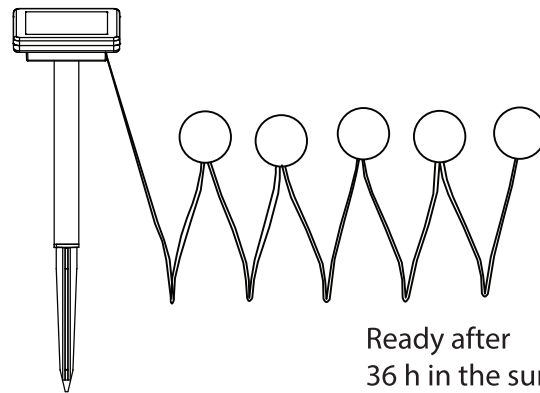
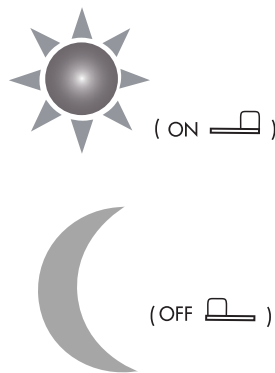
Art.no 477-58,477-59,482-09

FIRST USE

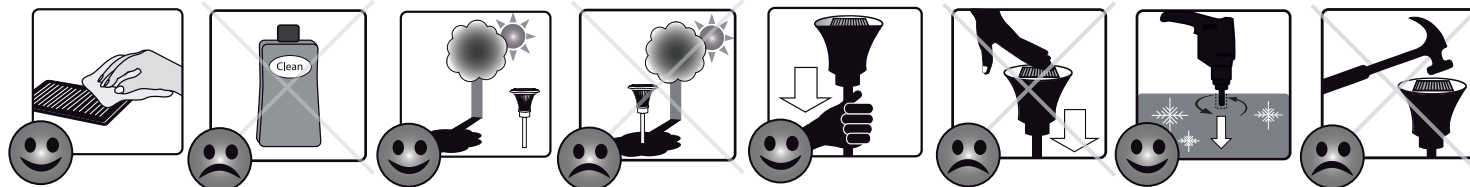
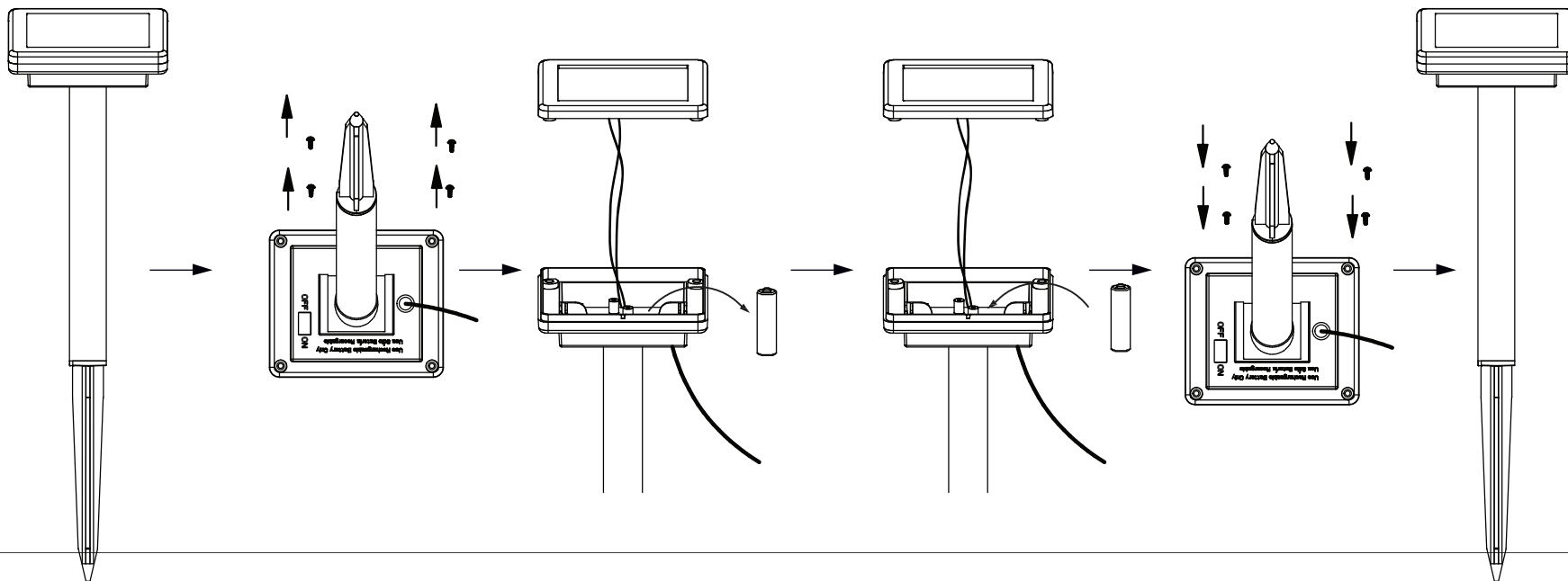
STEP 1.



STEP 2.



BATTERY REPLACEMENT



**STAR**<sup>®</sup>  
TRADING  
STAR STREET 1  
512 50 SVENLJUNGA  
SWEDEN  
[www.startrading.com](http://www.startrading.com)