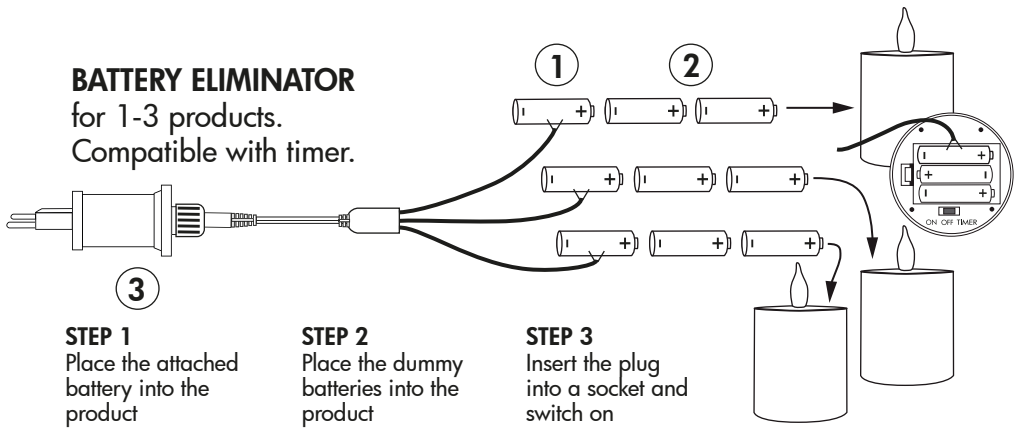


BATTERY ELIMINATOR
for 1-3 products.
Compatible with timer.

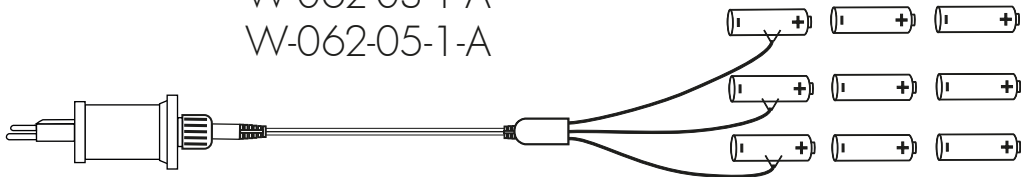


STEP 1
Place the attached
battery into the
product

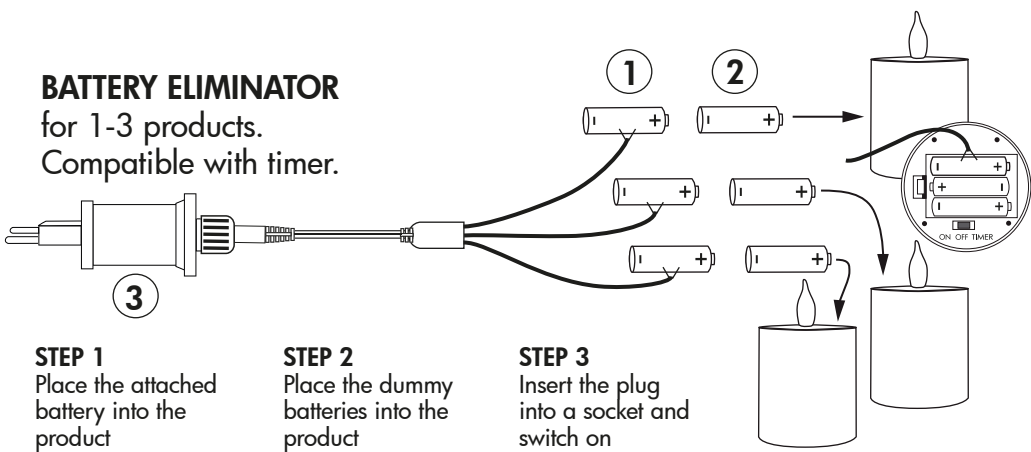
STEP 2
Place the dummy
batteries into the
product

STEP 3
Insert the plug
into a socket and
switch on

W-062-03-1-A
W-062-05-1-A



BATTERY ELIMINATOR
for 1-3 products.
Compatible with timer.



STEP 1
Place the attached
battery into the
product

STEP 2
Place the dummy
batteries into the
product

STEP 3
Insert the plug
into a socket and
switch on

W-062-02-1-A
W-062-04-1-A

